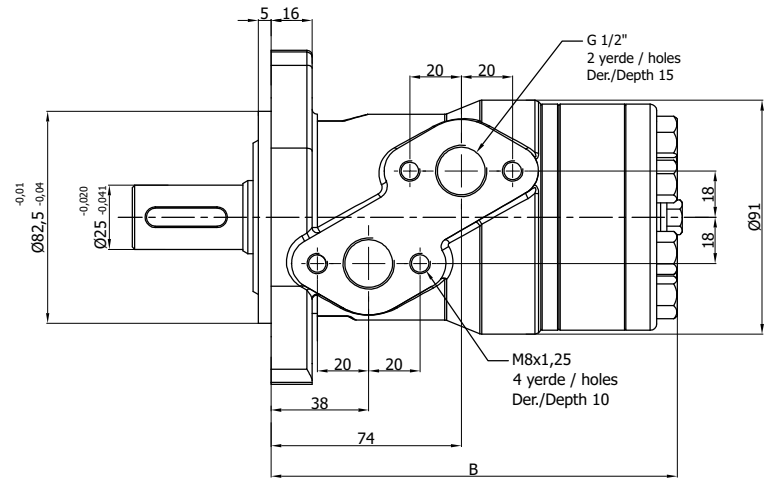
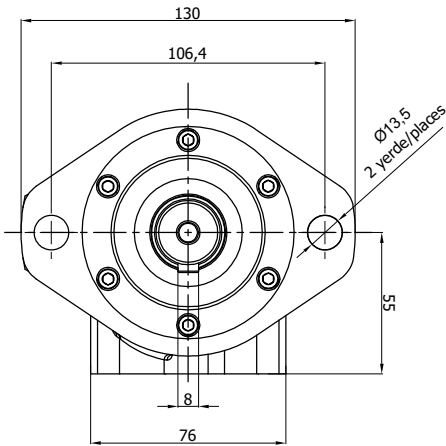
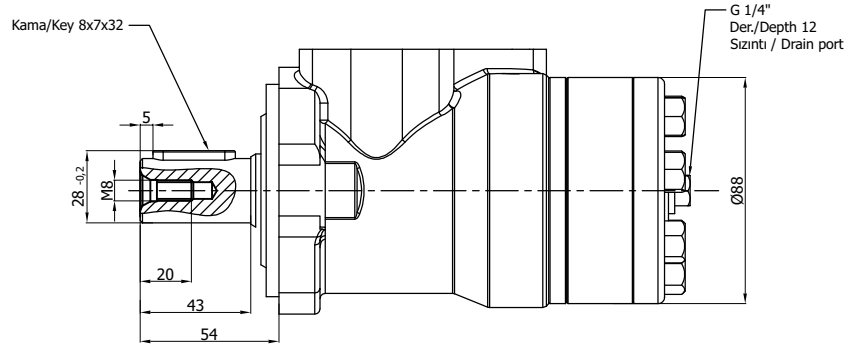


CIRCUIT DIAGRAM



Motor Type	Displacement (cc)	Max. Speed (rpm)	Max. Pressure (bar)	Max. Torque (Nm)	L	Weight (kg)
GMP.032.RDHG12EGN	32,0	1015	165	48	139	5,5
GMP.050.RDHG12EGN	50,0	800	165	104	141	5,6
GMP.080.RDHG12EGN	80,0	770	165	157	145	5,7
GMP.100.RDHG12EGN	100,0	615	165	197	147	5,9
GMP.125.RDHG12EGN	125,0	480	165	238	150	6,0
GMP.160.RDHG12EGN	160,0	385	160	305	155	6,2
GMP.200.RDHG12EGN	200,0	310	150	358	160	6,4
GMP.250.RDHG12EGN	250,0	250	140	417	166	6,6
GMP.315.RDHG12EGN	315,0	195	110	413	176	6,9
GMP.400.RDHG12EGN	400,0	155	90	429	186	7,4